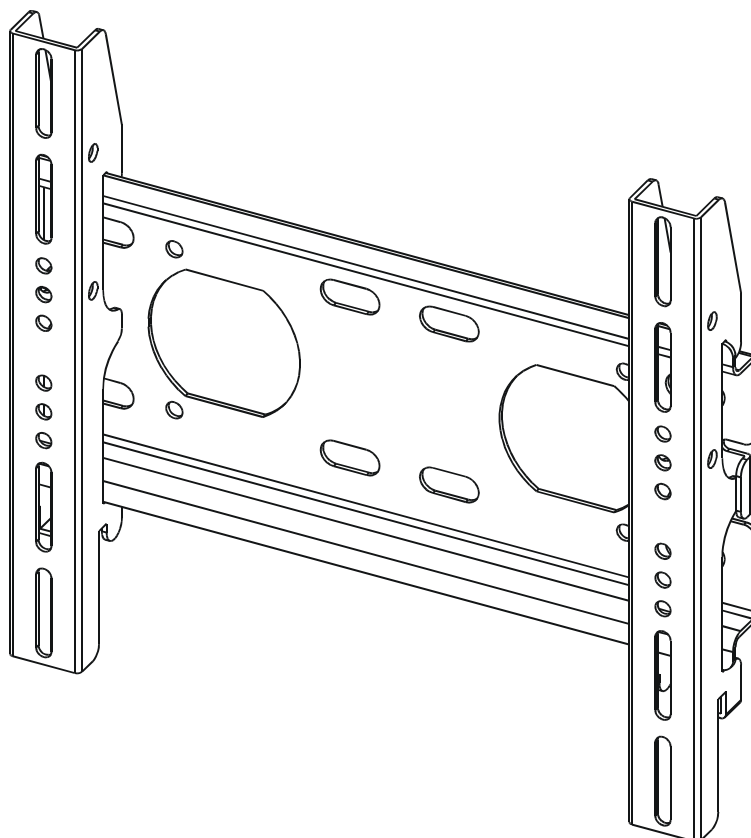
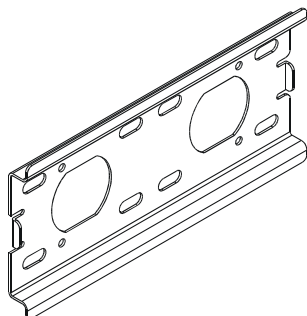


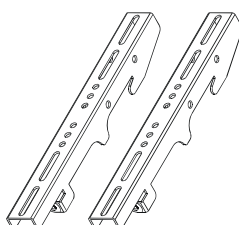
TKLA-8324 LCD TV BRACKET WALL MOUNTING MANUAL-26"-37"



A. WALL MOUNT



B. BRACKET



C. SCREW
M6x100L x 2
M6x50L x 2



D. HEX LAG BOLT
1/4"x2" x 4



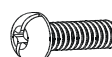
E. CONCRETE ANCHOR #8 x 4



F. M4 SPRING WASHER x 4
M5 SPRING WASHER x 4
M6 SPRING WASHER x 4



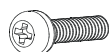
G. SCREW
M6 x 15L x 4
M6 x 25L x 4



H. SCREW
M5x 15L x 4
M5x 25L x 4



I. SCREW
M4x 12L x 4
M4x 25L x 4



J. PLASTIC SLEEVE
ψ16-6x7.3t x 4



K. M8 WASHER x 4
M6 WASHER x 4

