

Space Expert Lcd Monitor Arm

TKLA-3022

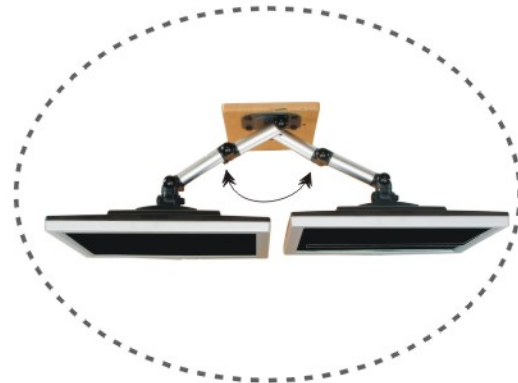
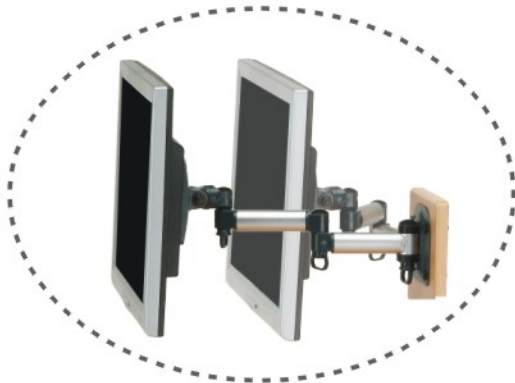


SPECIFICATION

Applicable Display Monitor with VESA Standard Holes
 VESA Standard MIS-D
 Max. Display Weight 15kg
 Mounting Methods Wall Mounting
 Material Construction Arm: Aluminum; Mount: Steel
 Surface Finish Liquid Coating
 Standard Color Silver & Black
 Cable Manager Yes

Arm Adjustments Horizontal Range 35cm
 Fold the Arm (Depth) 24.5cm
 Display Adjustments Tilting Angle Up60° / Down45°
 Swinging Angle 180°
 Rotation 360°
 Net Weight 0.92kg
 Gross Weight 1.14kg
 Packing Dimensions L22.5cm X W16.5cm X H12 cm

Specifications are subject to change without notice for further improvement.



Features

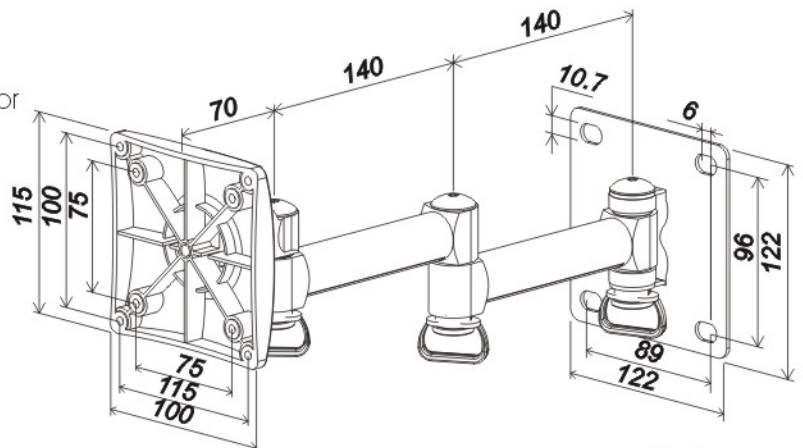
Space Expert has foldable arm articulating flat panel mount.

Three-joints design is easy to move the monitor in any direction or position.

Wall mounting base saves a lot of space for the users.

Users are comfortable to watch the monitor no matter sitting or standing.

Easy steps installation fits in work place and home.



Unit:mm



FOGIM ENTERPRISE CORPORATION
 No. 2-3, Chajhuan Rd., Gueishan Town, Taoyuan, 33349, Taiwan
 Tel: +886-3-350-1837 Fax: +886-3-350-3730
 Website: www.fogim-ent.com
 E-mail: fo.gim@msa.hinet.net ; info@fogim-ent.com