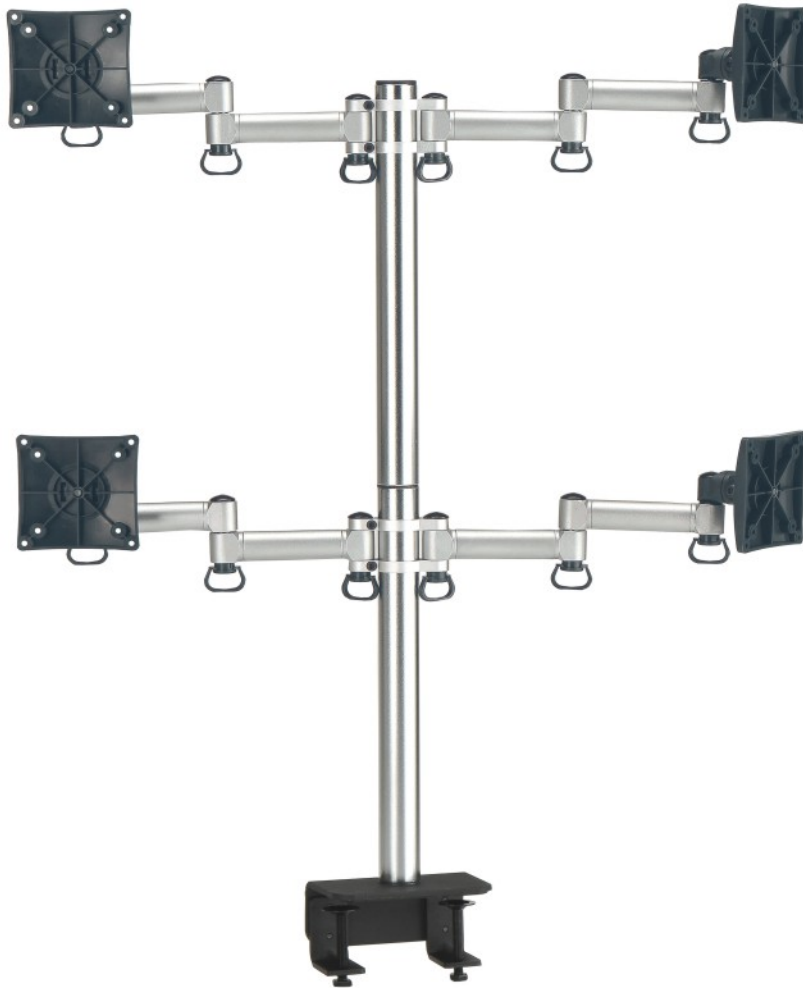


Space Extender Lcd Monitor Arm

TKLA-6034



SPECIFICATION

Applicable Display	Monitor with VESA Standard Holes
VESA Standard	MIS-D
Max. Display Weight	8kg per monitor
Mounting Methods	Steel Enhanced Desk Clamp Mount
Clamp Mount (Fits)	1~6.5cm Thick
Surface Finish	Liquid Coating
Standard Color	Silver
Cable Manager	Yes
Material Construction	Arm : Aluminum ; Pole & Base: Steel
Arm Adjustments	Vertical Range 68cm Horizontal Range 33cm The Fold Arm (Depth) 10.5cm
Display Adjustments	Tilting Angle Up 60° / Down 45° Left & Right 90° / 90° Clock Rotation 360°
Net Weight	6.02kg
Gross Weight	6.56kg
Packing Dimensions	L60.0cm X W19.5cm X H9.0cm

Specifications are subject to change without notice for further improvement.



Features

Space Extender has foldable arms articulating flat panel mount.

Apply to four monitors and offer mobility and flexibility.

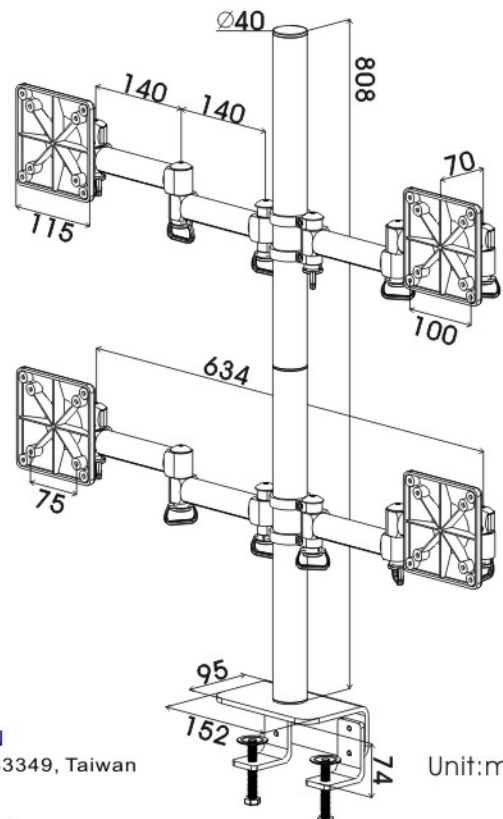
Three-joint foldable arms make it easy to move the monitors in any directions or positions you desire and save a lot of space for the users.

Users can easily move up and down the monitors by using one simple tool to screw loose the nuts on the arm.

Exquisite silver aluminum alloy shapes fashion your monitors.

Easy installation fits in work place and home.

Users are comfortable to watch the monitors no matter sitting or standing.



Unit:mm



FOGIM ENTERPRISE CORPORATION
 No. 2-3, Chajhuan Rd., Gueishan Town, Taoyuan, 33349, Taiwan
 Tel: +886-3-350-1837 Fax: +886-3-350-3730
 Website: www.fogim-ent.com
 E-mail: fo.gim@msa.hinet.net ; info@fogim-ent.com