

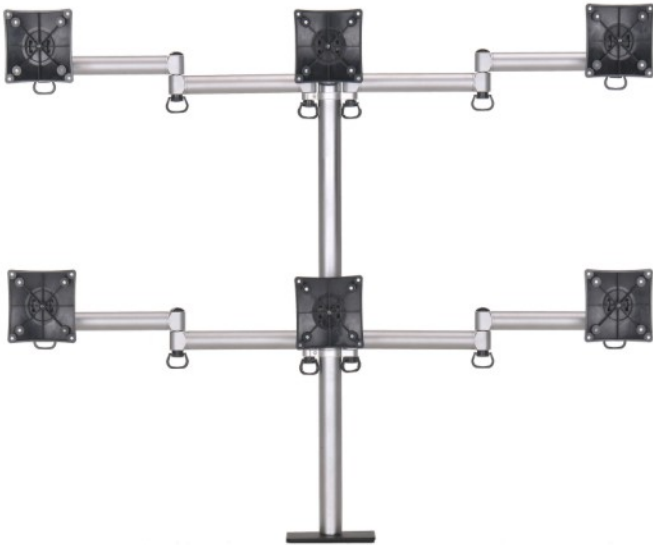
# Space Manager LCD Monitor Arm

## TKLA-6036

### SPECIFICATION

Applicable Display	MIS-D
VESA Standard	Monitor with VESA Standard Holes
Max. Display Weight	8kg per monitor
Mounting Methods	Enhanced Desk Clamp Mount
Clamp Mount (Fits)	1~6.5cm Thick
Material Construction	Base: Steel; Arm: Aluminum; Pole: Steel
Surface Finish	Liquid Coating
Standard Color	Silver
Cable Manager	Yes
Arm Adjustments	Vertical Range 70.4cm Horizontal Range 52.2cm Fold the Arm (Depth) 13 cm
Display Adjustments	Tilting Angle Up 60° / Down 45° Left & Right 90° / 90° Clock Rotation 360°
Net Weight	7.04kg
Gross Weight	7.9kg
Packing Dimensions	L53.8cm X W17.5cm X H10.4cm

Specifications are subject to change without notice for further improvement.



## Features

Space Manager has foldable arms articulating flat panel mount.

Apply to six monitors up to 24" each.  
The clamp base is designed to be strong and rigid.

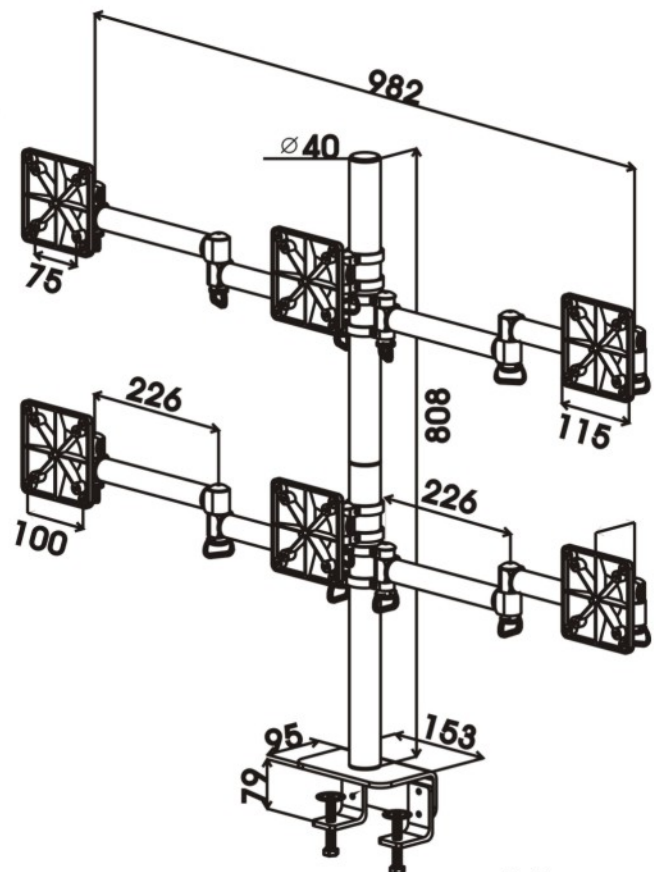
Three-joint foldable arms make it easy to move the monitors in any directions or positions you desire and save a lot of space for the users.

Users can easily move up and down the monitors by using one simple tool to screw loose the nuts on the arm.

Exquisite silver aluminum alloy shapes fashion your monitors.

Easy installation fits in work place and home.

Users are comfortable to watch the monitors no matter sitting or standing.



Unit:mm



FOGIM ENTERPRISE CORPORATION

No. 2-3, Chajuan Rd., Gueishan Town, Taoyuan, 33349, Taiwan

Tel: +886-3-350-1837 Fax: +886-3-350-3730

Website: www.fogim-ent.com

E-mail: fo.gim@msa.hinet.net; info@fogim-ent.com