

Lcd TV Bracket

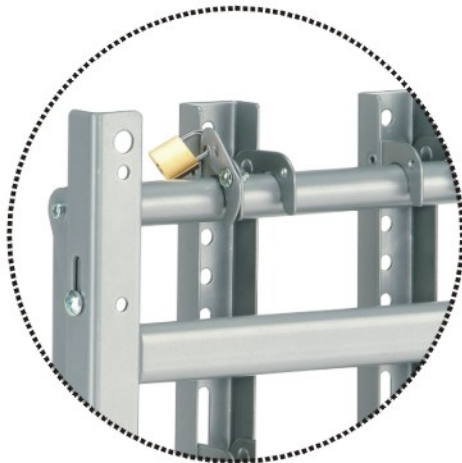
TKLA-8320



SPECIFICATION

Applicable Display	LCD TV or Plasma TV with VESA Standard Holes
VESA Standard	MIS-E Horizontal max. 250 mm Vertical max. 220 mm
Max. Display Weight	40kg
Mounting Methods	Wall Mounting
Material Construction	Steel
Surface Finish	Liquid Coating
Standard Color	Silver & Black
Display Adjustments	Down 10°
Net Weight	2.1kg
Gross Weight	2.4kg
Packing Dimensions	L33.5cm X W25.5cm X H5.5cm

Specifications are subject to change without notice for further improvement.



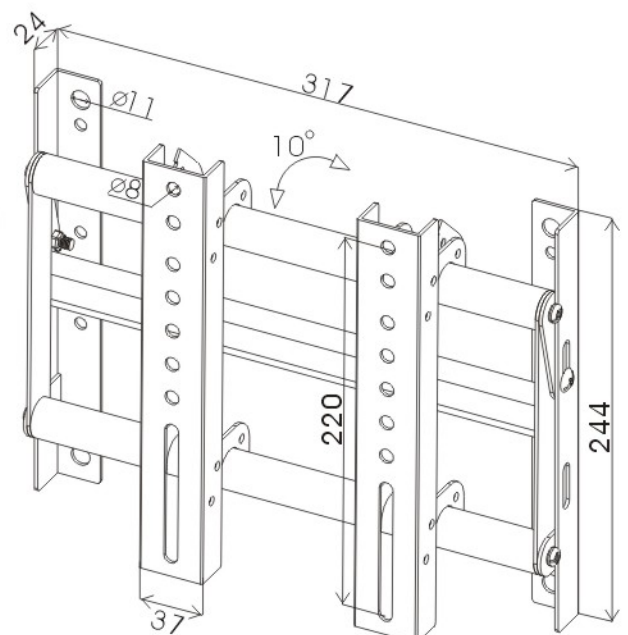
Features

TKLA-8320 LCD TV Bracket is brand new wall-mount design and is the most durable wall-mount solution available.

Apply to TFT LCD TV or Plasma TV and offer mobility and flexibility.

Users can easily adjust view angle.

Simple & Reliable design contributes to "Easy to install, No complex" idea.



unit:mm



FOGIM ENTERPRISE CORPORATION
No. 2-3, Chajhuan Rd., Gueishan Town, Taoyuan, 33349, Taiwan
Tel: +886-3-350-1837 Fax: +886-3-350-3730
Website: www.fogim-ent.com
E-mail: fo.gim@msa.hinet.net ; info@fogim-ent.com