

Lcd TV Bracket

TKLA-8324



SPECIFICATION

Applicable Display	LCD TV or Plasma TV with VESA Standard Holes MIS-E
VESA Standard	50, 75, 100 & 200mm
Max. Display Weight	40kg
Mounting Methods	Wall Mounting
Material Construction	Steel
Surface Finish	Liquid Coating
Standard Color	Black
Net Weight	1.6kg
Gross Weight	1.67kg
Packing Dimensions	L31.0cm x W14.2cm x H4.0cm

Specifications are subject to change without notice for further improvement.

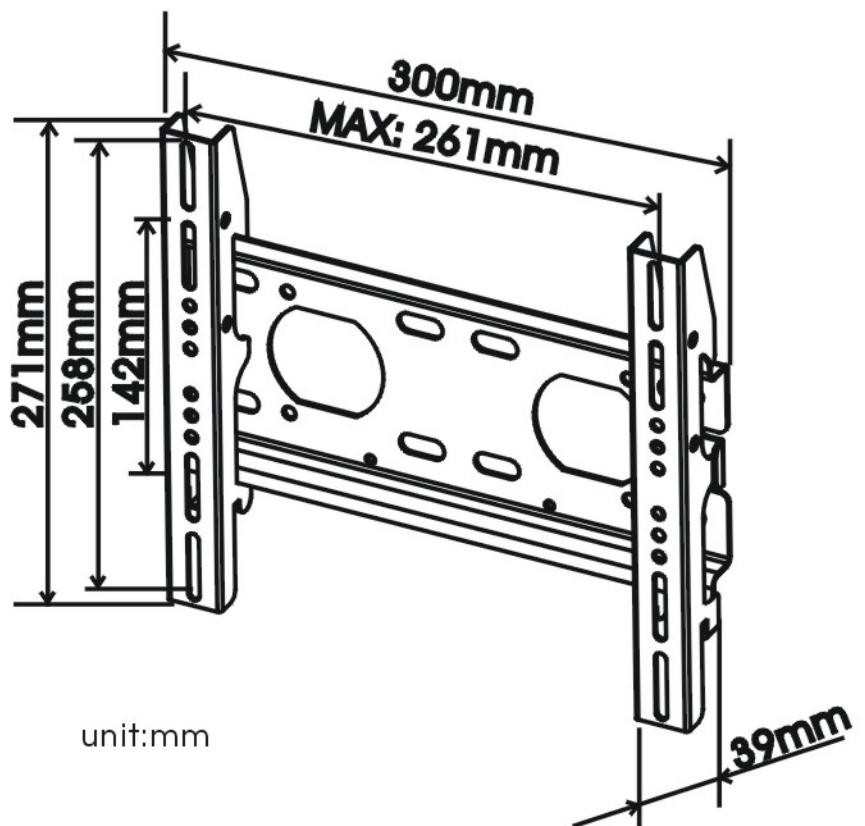
Features

TKLA-8324 LCD TV Bracket is brand new wall-mount design and is the most durable wall-mount solution available.

Apply to TFT LCD TV or Plasma TV and offer mobility and flexibility.

Users can easily adjust view angle.

Simple & Reliable design contributes to "Easy to install, No complex" idea.



FOGIM ENTERPRISE CORPORATION
No. 2-3, Chajhuan Rd., Gueishan Town, Taoyuan, 33349, Taiwan
Tel: +886-3-350-1837 Fax: +886-3-350-3730
Website: www.fogim-ent.com
E-mail: fo.gim@msa.hinet.net ; info@fogim-ent.com