

Lcd TV Bracket

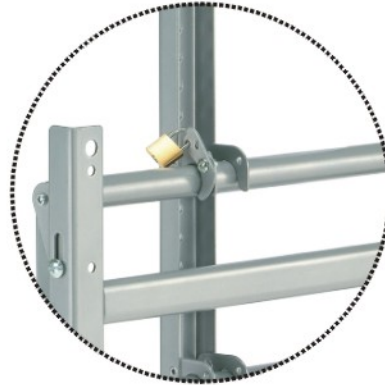
TKLA-8420



SPECIFICATION

Applicable Display LCD TV or Plasma TV with VESA Standard Holes
VESA Standard MIS-F
Horizontal max. 640 mm
Vertical max. 425 mm
Max. Display Weight 60kg
Mounting Methods Wall Mounting

Material Construction Steel
Surface Finish Liquid Coating
Standard Color Silver & Black
Display Adjustments Down 10°
Net Weight 3.4kg
Gross Weight 3.76kg
Packing Dimensions L73.0cm X W25.5cm X H5.5 cm
Specifications are subject to change without notice for further improvement.



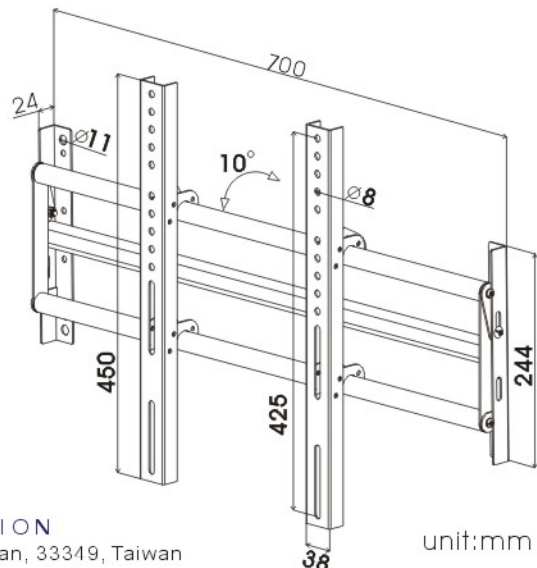
Features

TKLA-8420 LCD TV Bracket is brand new wall-mount design and is the most durable wall-mount solution available.

Apply to TFT LCD TV or Plasma TV and offer mobility and flexibility.

Users can easily adjust view angle.

Simple & Reliable design contributes to "Easy to install, No complex" idea.



FOGIM ENTERPRISE CORPORATION
No. 2-3, Chajhuan Rd., Gueishan Town, Taoyuan, 33349, Taiwan
Tel: +886-3-350-1837 Fax: +886-3-350-3730
Website: www.fogim-ent.com
E-mail: fo.gim@msa.hinet.net ; info@fogim-ent.com

unit:mm