

# Space Saver Dual LCD Monitor Arm

## TKLA-1222



### SPECIFICATION

Applicable Display	Monitor with VESA Standard Holes
VESA Standard	MIS-D
Max. Display Weight	10kg per monitor; Total 20kgs
Mounting Methods	Desk Clamp Mount
Clamp Mount (Fits)	1 ~ 6cm(2 3/8") Thick
Material Construction	Pole & Arm & Base: Aluminum
Surface Finish	Liquid Coating
Standard Color	Silver
Cable Manager	Yes
Arm Adjustments	Move Up & Down 20cm Whole Arm Swing 180° Fold the Arm (Depth) 10.5cm
Display Adjustments	Tilting 80° Left & Right 90°/90° Rotation 360°
Net Weight	N/A
Gross Weight	N/A
Packing Dimensions	N/A

Specifications are subject to change without notice for further improvement.

## Features

TKLA-1222 could be applied to two monitors.

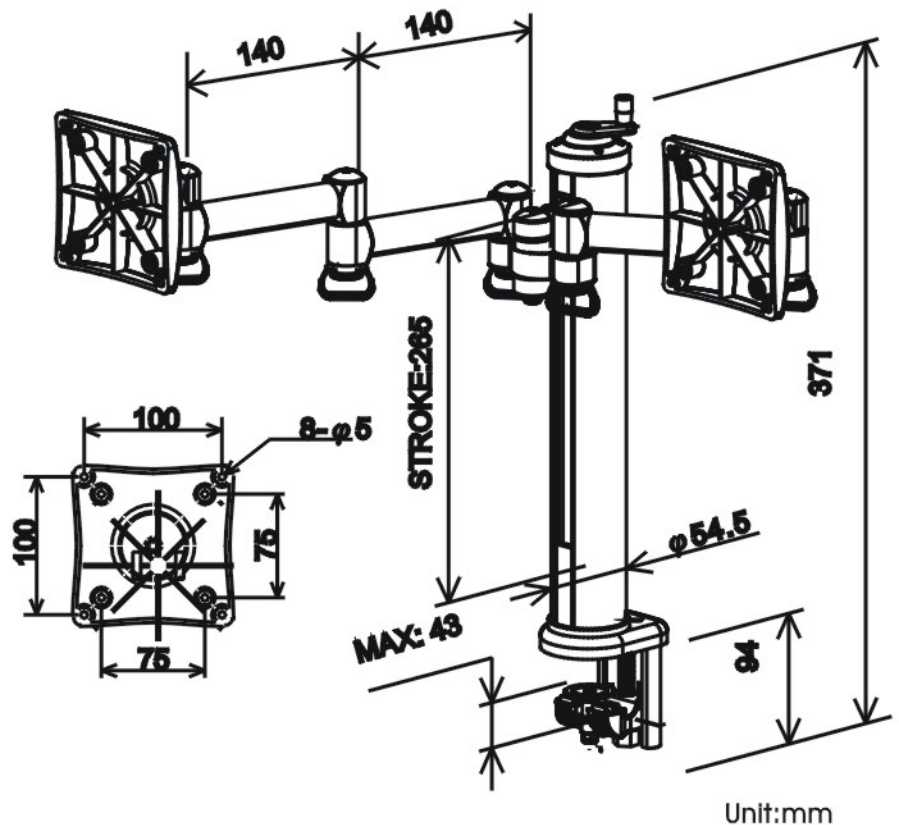
The height of arm could be adjusted very easily just by turning the small black knob on the top with one hand.

Three-joints design is easy to adjust the monitor in any direction or position.

Rigid structure and staid appearance comforts the users and the adjustable capability offers the users different view angles.

Users are comfortable to watch the monitor no matter sitting or standing.

Easy steps installation fits in work place and home.



FOGIM ENTERPRISE CORPORATION  
 No. 2-3, Chajuan Rd., Gueishan Town, Taoyuan, 33349, Taiwan  
 Tel: +886-3-350-1837 Fax: +886-3-350-3730  
 Website: www.fogim-ent.com  
 E-mail: fo.gim@msa.hinet.net; info@fogim-ent.com