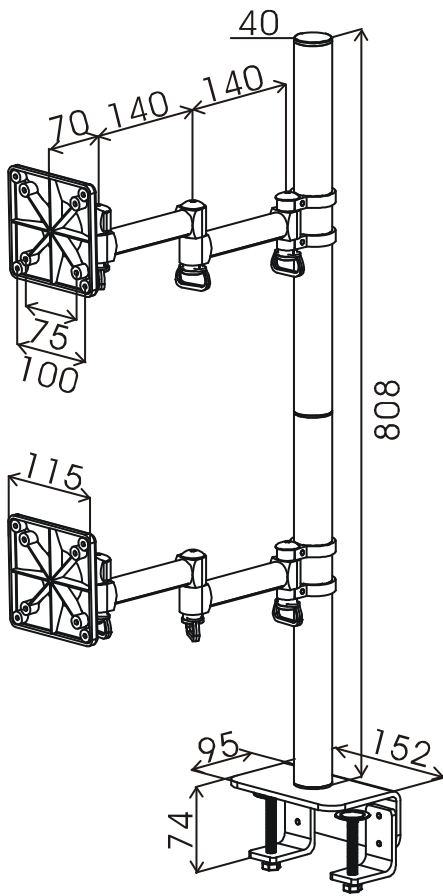


▲ Caution

- Mounting bracket VESA 3"(75mm x 75mm) and 4"(100mm x 100mm). For more information about the VESA standard please visit www.vesa.org
- As TFT LCD monitor manufacturers are constantly releasing new monitor models, we do not accept responsibility if the VESA mounting does not comply with the international standards.
- In order to attach the Arm to the rear of the TFT LCD monitor, the monitor must be removed from its existing base (if it is not already separate)-see the computer monitor manufacturer's literature for details.
- As desk design is different, the monitor arm could not be fixed on some specific material desktops, such as glass desktop or desk top which is too soft to fix the arm. The manufacturer does not take any responsibility for the damages due to the users fixing the arm on unstable desk or table.
- When installing the monitor arm, users should screw the joints tightly and make sure the joints will not be too loose when adjusting the arms. It is necessary to check the condition of screws and make sure they are under good condition when the arm is used frequently.

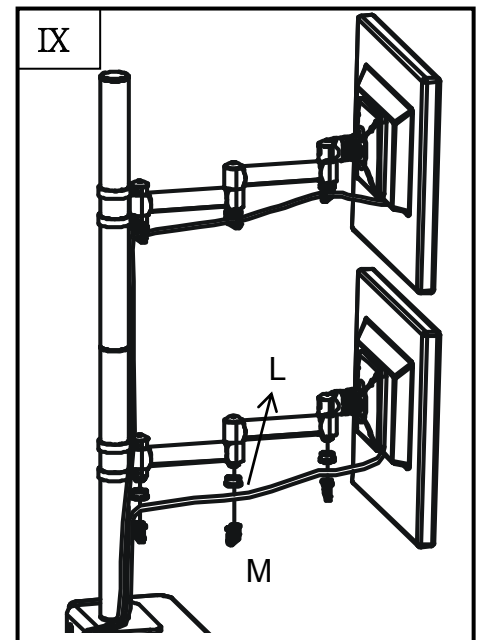
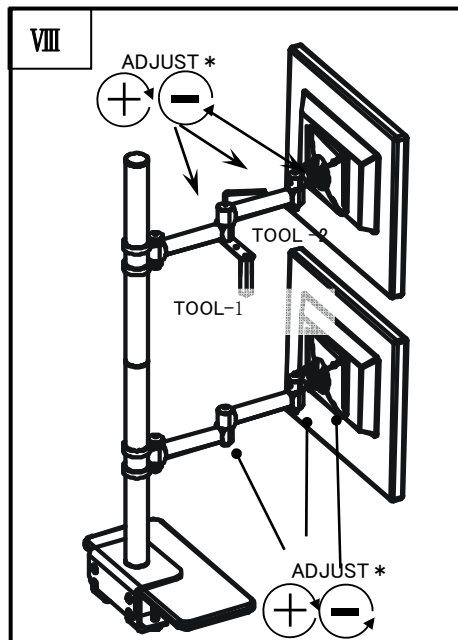
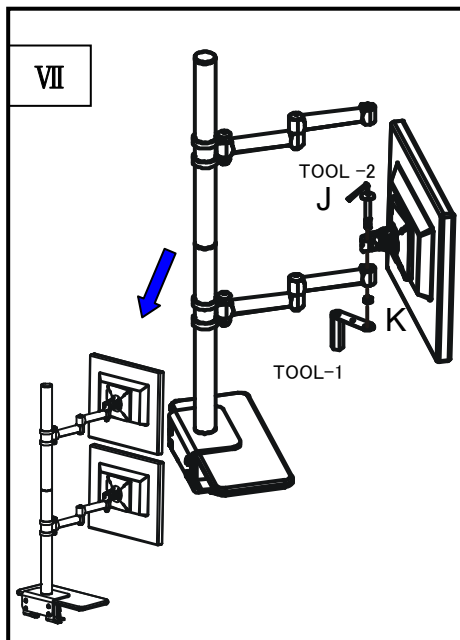
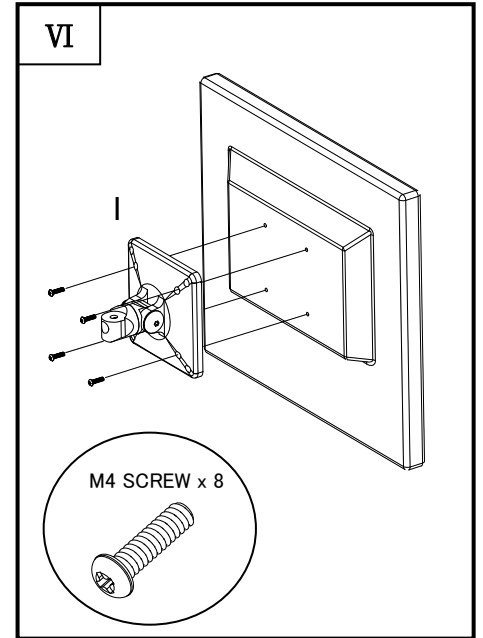
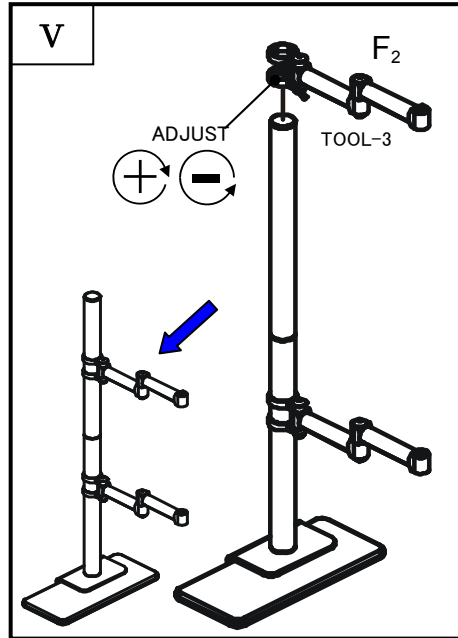
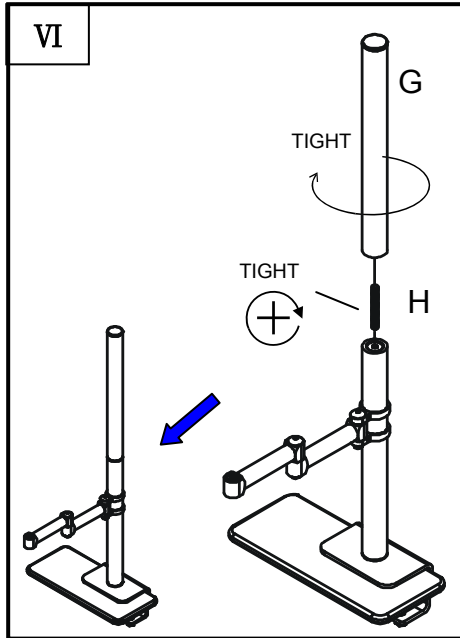
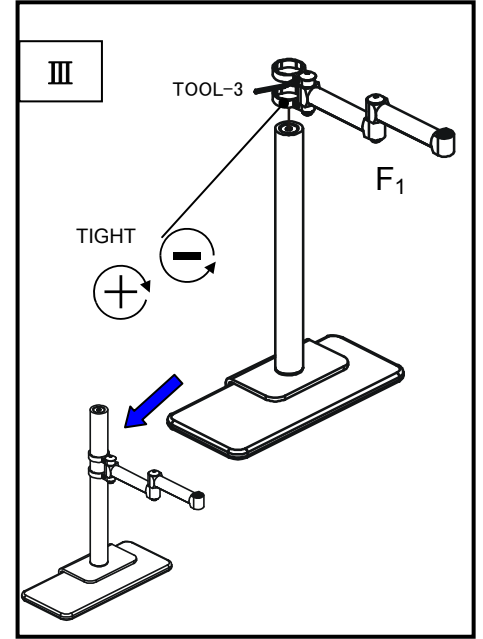
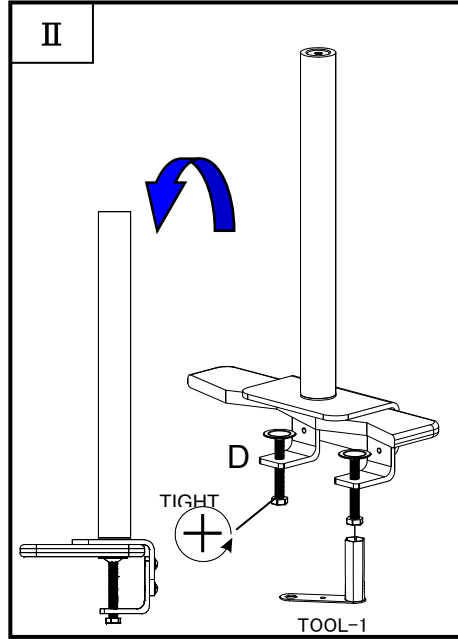
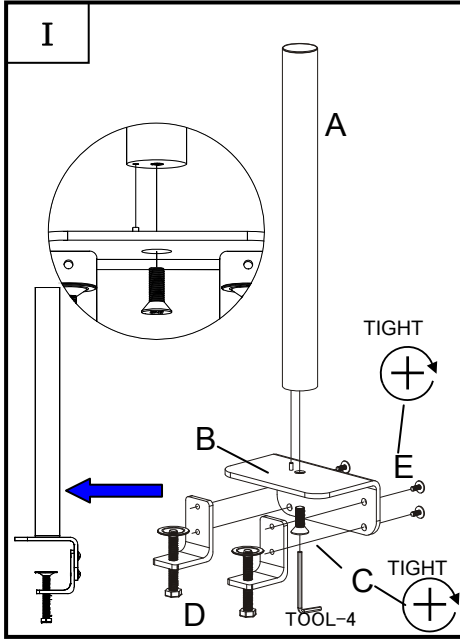
Specification



A. MAIN TUBE	H. CONNECT SCREW	
B. CLAMP MOUNT	I. BRACKET X 2	
C. SCREW X 1	J. INTERT HEXAGON SCREW x 2	
D. CLAMP X 2	K. NUT X 2	
E. PHILIPS SCREW X 4	L: PLASTIC CAP X 6	
F. ARM X 2	M: HOOK X 6	
G. UPPER TUBE		

Installation

Follow the instruction carefully



* Using Tool-1 for the NUT and Tool-2 for INNER-HEXAGON SCREW at the same time to adjust the joints to the appropriate tightness you prefer.

** The screwdriver is a perfect substitute tool for Tool-2 at Step 1 & 6.