

Space Generator Lcd Monitor Arm (Customized)

TKLA-6032C3



SPECIFICATION

Applicable Display	Monitor with VESA Standard Holes
VESA Standard	MIS-D
Max. Display Weight	10kg
Mounting Methods	Enhanced Desk Clamp Mount
Clamp Mount (Fits)	1 ~ 6.5cm Thick
Material Construction	Base: Steel; Arm: Aluminum; Pole: Steel
Surface Finish	Liquid Coating
Standard Color	Silver
Cable Manager	Yes
Arm Adjustments	Vertical Range 70.4cm Horizontal Range 33.0cm Fold the Arm (Depth) 10.5 cm
Display Adjustments	Tilting Angle Up 60° / Down 60° Left & Right 90° / 90° Clock Rotation 360°
Gross Weight	5.0kg
Net Weight	4.7kg
Packing Dimensions	L53.8cm X W17.5cm X H10.4 cm

Specifications are subject to change without notice for further improvement.

Features

Space Generator TKLA-6032C3 has foldable arm articulating flat panel mount.

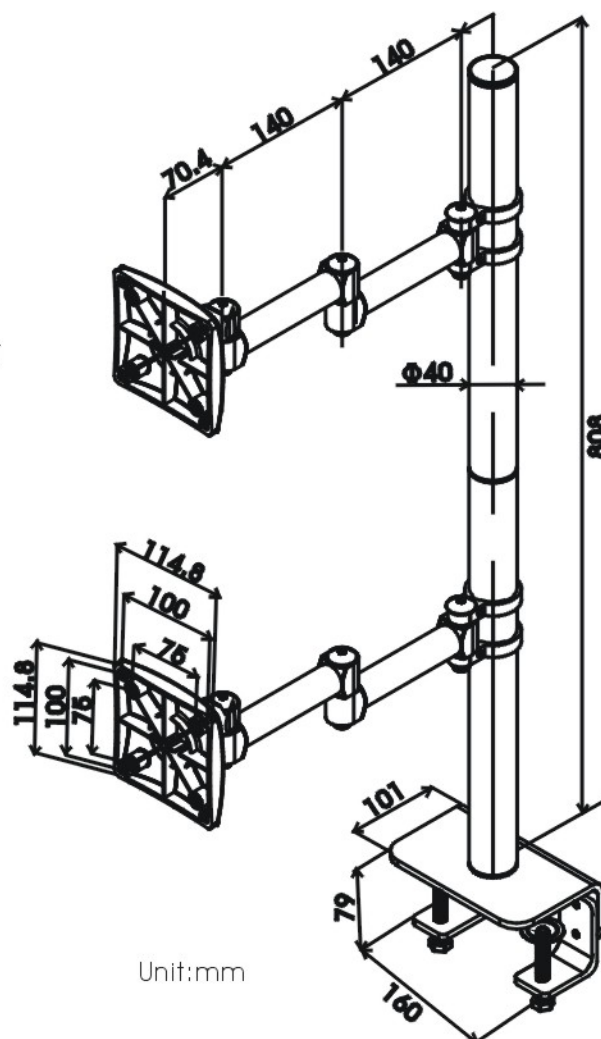
Apply to two monitors with the pivot arms and offer mobility and flexibility.

Three-joints design is easy to move the monitor in any direction or position.

Users can easily move up and down the monitor by using one simple tool to screw the nut on the arm.

Users are comfortable to watch the monitor no matter sitting or standing.

Easy steps installation fits in work place and home.



Unit:mm



FOGIM ENTERPRISE CORPORATION
No. 2-3, Chajhuan Rd., Gueishan Town, Taoyuan, 33349, Taiwan
Tel: +886-3-350-1837 Fax: +886-3-350-3730
Website: www.fogim-ent.com
E-mail: fo.gim@msa.hinet.net; info@fogim-ent.com