

Space Giver Lcd Monitor Arm

TKLA-6033

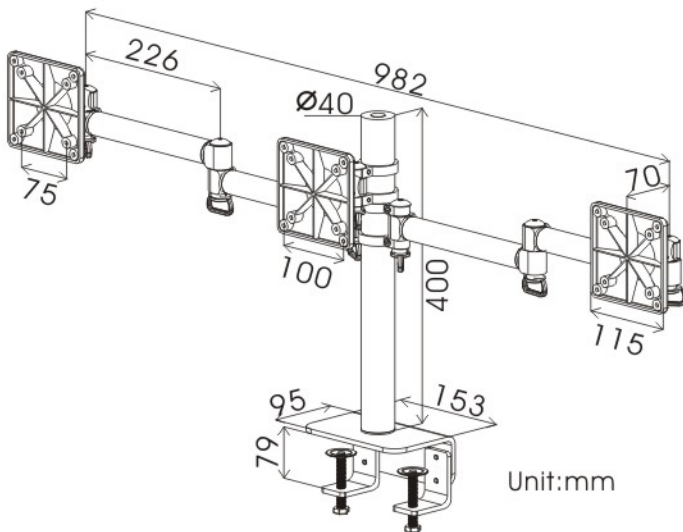


Black Model

SPECIFICATION

Applicable Display	Monitor with VESA Standard Holes
VESA Standard	MIS-D
Max. Monitor Weight	10kg
Max. Monitor Width	49cm
Mounting Methods	Steel Enhanced Desk Clamp Mount
Material Construction	Arm: Aluminum; Pole & Base: Steel
Surface Finish	Liquid Coating
Standard Color	Silver & Black
Cable Manager	Yes
Arm Adjustments	Vertical Range 30cm Horizontal Range 52.2cm
Monitor Adjustments	Tilt Up & Down 60°/45° Turn Left & Right 90°/90° Rotation 360°
Net Weight	4.14kg
Gross Weight	4.57kg
Packing Dimensions	L53.8cm X W17.5cm X H10.4 cm

Specifications are subject to change without notice for further improvement.



Features

Space Giver offers the flexibility and mobility for three LCD monitors simultaneously.

Three-joints design is easy to move the monitor in any direction or position.

Release more space to the crowded worktop and reading desk.

Users are comfortable to watch the monitor no matter sitting or standing.

Easy installation steps fit in work place, home and school.



FOGIM ENTERPRISE CORPORATION

No. 10, Mincyuan St., Hsinchuang City 242, Taipei Hsien, Taiwan

Tel: 886-2-2206-8515 Fax: 886-2-2206-4977

Website: www.fogim-ent.com

E-mail: fo.gim@msa.hinet.net ; info@fogim-ent.com